

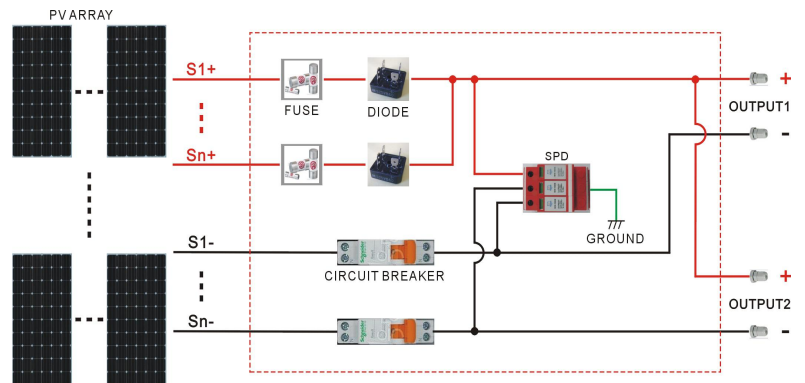
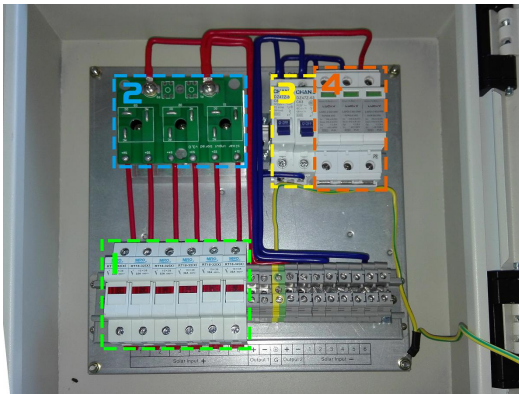


## PV COMBINER BOX

Photovoltaic power generation system, in order to reduce the photovoltaic module and inverter between the connecting cables, convenient maintenance, reduce the loss and improve the safety and reliability of the product, generally require in the photovoltaic module and inverter added between confluence device.

Photovoltaic junction box besides having the function of pv bus outside, and at the same time, should also have a current counter-attack, over current protection, over-voltage protection, lightning protection and a series of perfect protection function.

This company produces the photovoltaic junction box with the above various functional requirements, and photovoltaic (PV) grid, from network type inverter supporting the use can form a complete set of photovoltaic power generation system solutions.



- ①-- fuse
- ②-- Counter flow module
- ③--DC Breaker
- ④--Lightning protection module

Model	H2T	H4T	H6T	H8T	H10T
<b>Input data</b>					
PV array input numbers	2	4	6	8	10
Max single PV array current	16A				
Single PV array fuse	16A				
Single PV array wire size	PG7、4mm <sup>2</sup>				
<b>Output data</b>					
Output numbers	1	2			
Max output current	40A	30A/each way, total 60A	40A/each way, total 80A	50A/each way, total 100A	
Each way output wire size	PG16、each way 8mm <sup>2</sup>	PG16、each way 10mm <sup>2</sup>	PG16、each way 10mm <sup>2</sup>	PG16、each way 12mm <sup>2</sup>	
Max output voltage	600VDC				
DC output circuit breaker	yes				
<b>Others data</b>					
protection	IP65				
Temperature range	-30℃ ~ +60℃				
Reference weight (N.W/G.W.)	5.3/9.3	8.4/12.9	9.5/14.3	10.8/15.6	
Machine size (D X W X H)	340*300*140mm	360*340*145mm	400*420*145mm		
Packaging size (D X W X H)	450*420*245mm	470*450*255mm	530*510*255mm		
Cooling way	Natural cooling				
SPD protection	yes				
Ground wire size	≥6mm <sup>2</sup>				